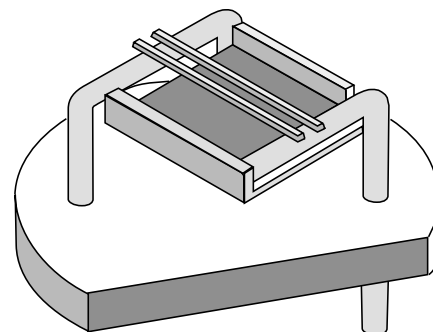


Ion Trap™ Filaments

The plug-in style filaments for the Varian Saturn Ion Trap instruments are available from S.I.S.™ These are direct replacements for those supplied by Varian (03-920437-00).

S.I.S. also repairs these filaments.

Part No.	Varian #	Description	Price
FF700	03-920437-00	Filament, Varian Saturn	



FF700

Electron Multipliers

The following multiplier is available from S.I.S. for the Varian Saturn series ion traps. The model 1343-0450 is an exact replacement for those used on the original Varian Saturn instruments. The Model 350 is a mounted detector. Model 382 fits the Varian Saturn 2000.

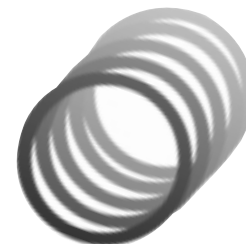
Part No.	Description	Price
350	DeTech Electron Multiplier for Saturn	
382	DeTech Electron Multiplier for Saturn 2000	
30071	Burle Electron Multiplier	

DeTech
Model 382



Copper and Gold Plated Copper Gaskets for Ion Trap

S.I.S. carries copper and gold plated copper gaskets for the Varian Saturn. These copper seals are identical replacements for those used by Varian.



Part No.	Varian #	Description	Flange		Size	Price ea.	
			O.D." x I.D. x Thick."			Price ea.	10 or more
CG-400		Cu Gasket	1.31" x 1.00" x .080"		2.12		
CG-400GP	03-920194-001	Gold Plated Cu Gasket	1.31" x 1.00" x .080"		2.12		
CG-275		Cu Gasket	3.24" x 2.80" x .080"		4.50		
CG-275GP	03-920188-001	Gold Plated Cu Gasket	3.24" x 2.80" x .080"		4.50		

Ferrules

The 1/4" graphitized vespel ferrule with a .5mm and a .4mm hole are available from S.I.S. They are sold in packages of 10.

Part No.	Description	Price / pkg.
GVF4005	ITD Ferrule, .5mm ID	
GVF4004	ITD Ferrule, .4mm ID	

For a complete listing of Ion Trap Parts and Accessories see the Thermo Scientific section of this catalog.