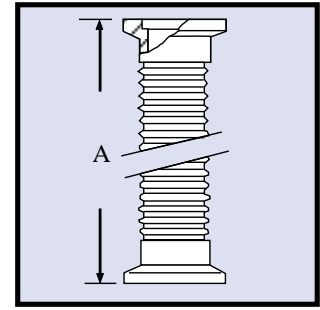


QF To Flexible Stainless Steel Metal Hose 10" Length - Thick Wall

| Part No. | A | I.D. | NW Flange | Price ea. |
|----------------|-----|--------|-----------|-----------|
| QF16-075-MH10T | 10" | 5/8" | 16 | |
| QF25-100-MH10T | 10" | 7/8" | 25 | |
| QF40-150-MH10T | 10" | 1 3/8" | 40 | |
| QF50-200-MH10T | 10" | 1 7/8" | 50 | |

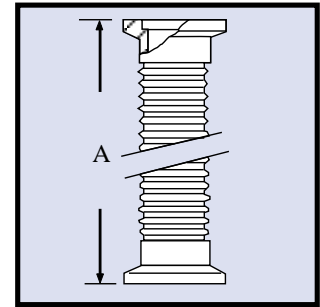


QF to Flexible Stainless Hose 20" Length - Thick Wall

This thick walled metal hose with two NW flanges is for connecting pumps to vacuum systems.

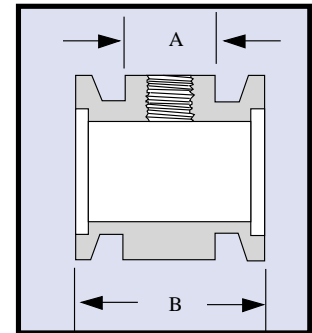
| Part No. | A | I.D. | NW Flange | Price ea. |
|----------------|-----|--------|-----------|-----------|
| QF16-075-MH20T | 20" | 5/8" | 16 | |
| QF25-100-MH20T | 20" | 7/8" | 25 | |
| QF40-150-MH20T | 20" | 1 3/8" | 40 | |
| QF50-200-MH20T | 20" | 1 7/8" | 50 | |

All I.D. Dimensions are approximate



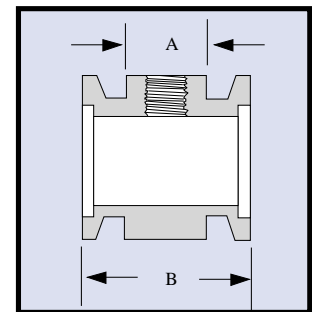
Adaptive Tee To Female NPT-Aluminum

| Part No. | A | B | Price |
|---------------|------|-------|-------|
| QF16x18NPT-AT | .76" | 1.57" | |
| QF16x14NPT-AT | .76" | 1.57" | |
| QF25x18NPT-AT | .76" | 1.57" | |
| QF25x14NPT-AT | .76" | 1.57" | |
| QF40x18NPT-AT | .76" | 1.57" | |
| QF40x14NPT-AT | .76" | 1.57" | |



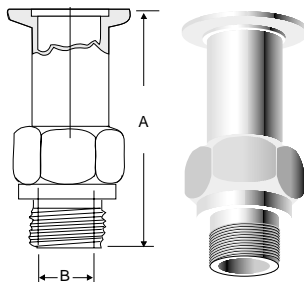
Adaptive Tee To Female NPT-304 Stainless Steel

| Part No. | A | B | Price |
|---------------|------|-------|-------|
| QF16x18NPT-ST | .76" | 1.57" | |
| QF16x14NPT-ST | .76" | 1.57" | |
| QF25x18NPT-ST | .76" | 1.57" | |
| QF25x14NPT-ST | .76" | 1.57" | |
| QF40x18NPT-ST | .76" | 1.57" | |
| QF40x14NPT-ST | .76" | 1.57" | |



Stainless Welch Pump Adapter

This stainless steel adapter replaces the inlet hose connector and comes complete with a metal gasket.



| Part No. | For use with Welch Pump No. | A (in.) | B (in.) | Price each |
|--------------|---|------------|------------|---------------|
| QF16-075-WP1 | 1399, 1400, 1410 | 1.77 | .45 | |
| QF16-075-WP2 | 1405 | 2.56 | .562 | |
| QF25-100-WP1 | 1380, 1402, 1403, 8806, 8811, 8816, 8821 | 2.76 | .750 | |
| QF40-150-WP1 | 1373, 1376, 8831 | 2.56 | 1.125 | |
| QF40-150-WP2 | 1374, 1397, 8851 | 2.56 | 1.375 | |