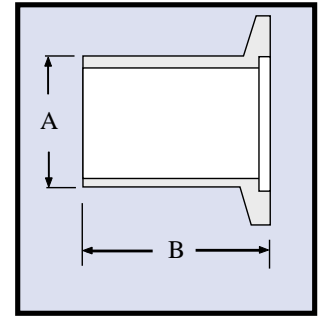


# F62 NW Vacuum Fittings

## Long Braze Weld Flange - Brass

Longer pump nipple for vacuum hose attachment or for custom welding applications.

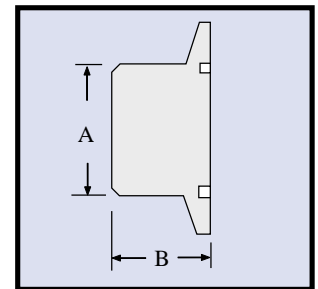
Part No.	Tube Size	A	B	NW Flange Size	Price
QF16-050-LB	.5"	.50"	1.00"	16	
QF16-062-LB	.625"	.62"	1.00"	16	
QF16-075-LB	.75"	.75"	1.00"	16	
QF16-087-LB	.875"	.87"	1.00"	16	
QF25-100-LB	1"	1.00"	1.38"	25	
QF25-112-LB	1.125"	1.13"	1.38"	25	
QF40-150-LB	1.5"	1.50"	1.58"	40	
QF40-162-LB	1.625"	1.62"	1.58"	40	
QF50-200-LB	2"	2.00"	1.58"	50	
QF50-212-LB	2.125"	2.12"	1.58"	50	



## Flange - Unbored Stub, 304 Stainless

For blocking off unused flanges or for custom drilling.

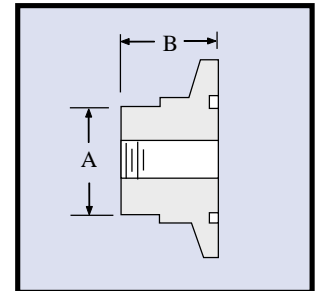
Part No.	A	B	NW Flange Size	Price ea.
QF10-050-US	.75"	.75"	10	
QF16-075-US	.75"	.75"	16	
QF25-100-US	1.00"	.75"	25	
QF40-150-US	1.50"	1.00"	40	
QF50-200-US	2.00"	1.00"	50	



## Adapter Flange to 1/8" NPT, Stainless

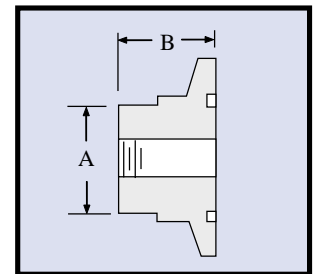
Fitting with 1/8" NPT for direct attachment of ion gauge tubes to vacuum pumps for testing and/or monitoring.

Part No.	A	B	NW Flange Size	Price ea.
QF10-050-SP12	.62"	.75"	10	
QF16-075-SP12	.62"	.75"	16	
QF25-100-SP12	.88"	.75"	25	
QF40-150-SP12	1.25"	1.00"	40	
QF50-200-SP12	1.75"	1.00"	50	



## Flange Adapter to 1/8" NPT, Aluminum

Part No.	A	B	NW Flange Size	Price ea.
QF10-050-AP12	.62"	.75"	10	
QF16-075-AP12	.62"	.75"	16	
QF25-100-AP12	.88"	.75"	25	
QF40-150-AP12	1.25"	1.00"	40	
QF50-200-AP12	1.75"	1.00"	50	



## Flange Adapter to 1/4" NPT, 304 Stainless Steel

NW flange with 1/4" NPT, for fittings such as our Koby® carbon filter to vacuum pumps.

Part No.	A	B	NW Flange Size	Price ea.
QF10-050-SP25	.62"	.75"	10	
QF16-075-SP25	.62"	.75"	16	
QF25-100-SP25	.88"	.75"	25	
QF40-150-SP25	1.25"	1.00"	40	
QF50-200-SP25	1.75"	1.00"	50	

