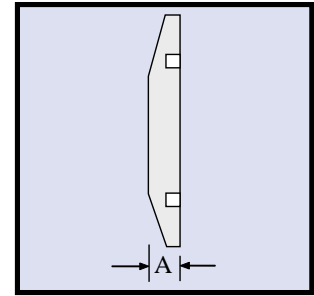


## Blank Flanges, 304 Stainless

These blank flanges are used to close off unused NW ports.

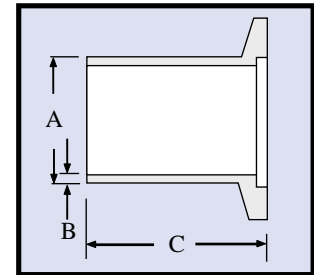
Part No.	A	NW Flange	Price ea.
QF10-050-SB	.20"	10	
QF16-075-SB	.20"	16	
QF25-100-SB	.20"	25	
QF40-150-SB	.20"	40	
QF50-200-SB	.20"	50	



## Long Butt Flange, 304 Stainless

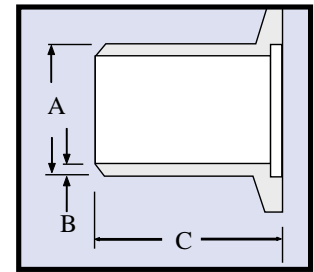
For use as a vacuum hose connection or for welding custom fittings.

Part No.	Tube Size	A	B	C	NW Flange Size	Price
QF10-050-LF	.5"	0.50"	.07"	1.58"	10	
QF16-050-LF	.5"	0.50"	.07"	1.58"	16	
QF16-075-LF	.75"	0.75"	.07"	1.58"	16	
QF25-100-LF	1"	1.00"	.07"	1.58"	25	
QF40-150-LF	1.5"	1.50"	.08"	1.58"	40	
QF50-200-LF	2"	2.00"	.08"	1.58"	50	



## Long Butt Flange, Aluminum

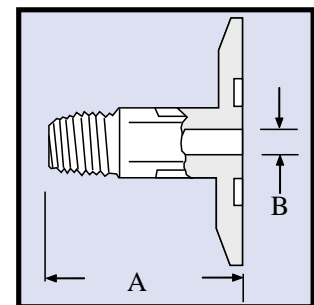
Part No.	Tube Size	A	B	C	NW Flange Size	Price
QF10-050-ALF	.5"	0.50"	.07"	1.58"	10	
QF16-050-ALF	.5"	0.50"	.07"	1.58"	16	
QF16-075-ALF	.75"	0.75"	.07"	1.58"	16	
QF25-100-ALF	1"	1.00"	.07"	1.58"	25	
QF40-150-ALF	1.5"	1.50"	.08"	1.58"	40	
QF50-200-ALF	2"	2.00"	.08"	1.58"	50	



## QF to Male Pipe Adapter, 304 Stainless

Stubs have from 1/8" to 1" male NPT for junctions to NW flanges. PTFE tape is recommended for sealing threads.

Part No.	A	B	NW Flange Size	Price ea.
QF16-07518NPT	1.57"	.26"	16	
QF16-07514NPT	1.97"	.36"	16	
QF25-10018NPT	1.57"	.26"	25	
QF25-10014NPT	1.97"	.36"	25	
QF25-10012NPT	2.95"	.63"	25	
QF25-10034NPT	2.95"	.83"	25	



## Hose Adapter, Stainless Steel

Stainless steel nipples for clamping vacuum hose to NW flanges.

Part No.	Hose Size	A	B	C	NW Flange Size	Price Ea.
QF10-050-SH	.5"	.500"	1.260"	.790"	10	
QF16-050-SH	.5"	.500"	1.260"	.790"	16	
QF16-075-SH	.75"	.750"	1.260"	.790"	16	
QF25-100-SH	1"	1.000"	1.500"	1.020"	25	
QF40-150-SH	1.5"	1.500"	1.970"	1.500"	40	
QF50-200-SH	2"	2.000"	2.170"	1.610"	50	

