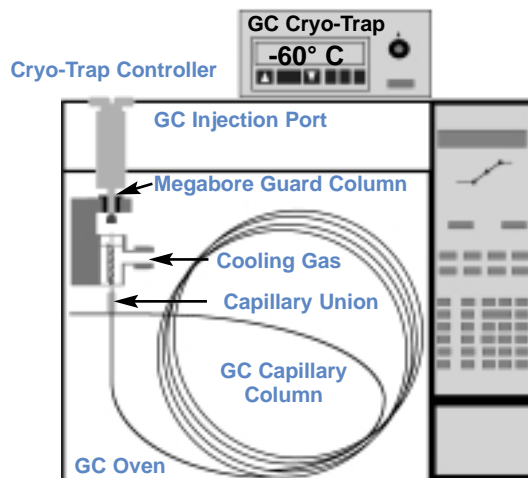
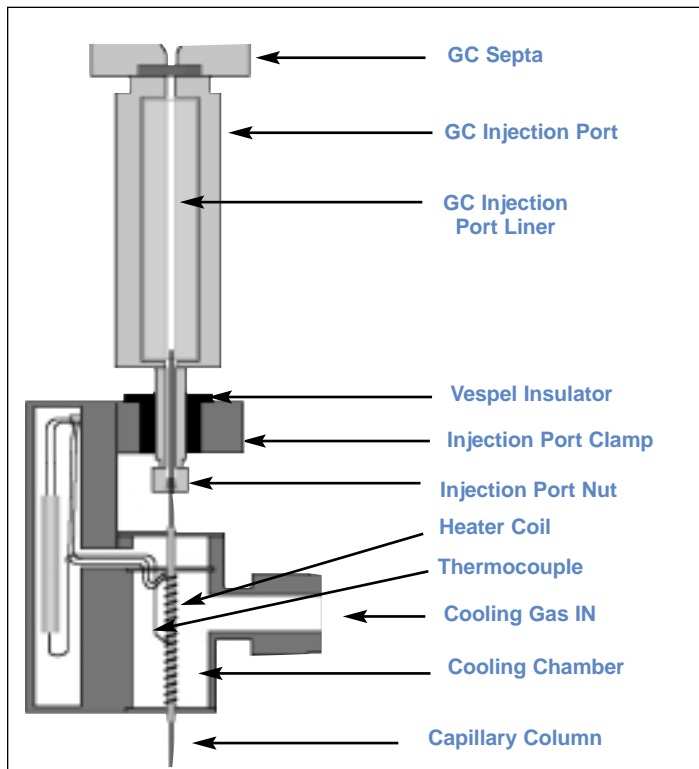


D26 Micro Cryo-Trap™



Model 971 Micro Cryo-Trap for use with Liquid CO₂

The Model 971 Micro Cryo-Trap™ is designed for use with liquid CO₂ tanks with a DIP tube. The minimum cooling temperature is -70°C. This model comes with the Micro Cryo-Trap™, the dual temperature electronics controller, connecting cables and stainless steel connecting line.

Part No.*	Description	Price
971110	Model 971 Micro Cryo-Trap™ for use with liquid CO ₂ , Electronics Controller, connecting cables, and stainless steel connecting lines	

*Order installation kit below.

Model 981 Micro Cryo-Trap for use with Liquid Nitrogen

The Model 981 Micro Cryo-Trap™ is designed for use with liquid nitrogen tanks (low pressure). The minimum cooling temperature is -180°C. This model comes with the Micro Cryo-Trap™, the dual temperature electronics controller, connecting cables and a copper connecting line.

Part No.*	Description	Price
981110	Model 981 Micro Cryo-Trap™ for use with liquid LN ₂ , Electronics Controller, connecting cables, HP relay switch and copper connecting lines	

*Order installation kit below.

Micro Cryo-Trap

Two models of the Micro Cryo-Trap are now available. The Model 971 is designed for liquid CO₂ for cryo-trapping temperatures down to -70°C. The Model 981 is designed for Liquid Nitrogen for cryo-trapping temperatures down to -180°C. Each model can maintain any cooling temperature within $\pm 3^\circ\text{C}$ from its minimum temperature up to room temperature. In order to release the trapped volatiles from the Micro Cryo-Traps™, both models can heat the Micro Cryo-Trap™ at temperatures up to 400°C at a heating ramp rate in excess of 400°C/minute. Most users prefer to use the CO₂ version of the Micro Cryo-Trap (Model 971) due to the ease of handling liquid CO₂ and for applications where -70°C is an acceptable lower temperature limit.

If lower temperatures are required, then the liquid nitrogen version of the Micro Cryo-Trap (Model 981) must be used. The liquid nitrogen delivery lines are larger than the CO₂ lines and the liquid nitrogen lines must be insulated. This makes installation somewhat more cumbersome. In addition the Liquid Nitrogen version uses more cooling gas and is slightly more audible.

Depending on the make and model of your GC, a Micro Cryo Trap can be ordered as described below. First you must decide which model of Micro Cryo-Trap is required for your application; the Model 971 for use with CO₂, or the Model 981 for use with liquid Nitrogen. Although the Cryo-Trap can be used for both CO₂ and LN₂, the electronics are not interchangeable for the two systems.

You must then select which installation kit is required based on the make and model of your gas chromatograph. Either of the two Micro Cryo-Trap models will fit the same installation kits listed.

Cryo-Trap Installation Packages

Depending on the make and model of Gas Chromatograph one of the installation packages must be ordered for the installation of the GC Cryo-Trap. The Cryo-Trap installation kits include the relays, mounting hardware, cables and other parts required to mount the Cryo-Trap into the particular model of gas chromatograph.

Part No.*	Description	Price
900110	Cryo-Trap Install Kit for HP 5890A	
900111	Cryo-Trap Install Kit for HP5890 Series I & II	
900112	Cryo-Trap Install Kit for HP 6890	
900120	Cryo-Trap Install Kit for Varian 3400/3600/3700 with 1075 Split/Splitless Injector with 1040 Megabore Injector with 1041 Universal Injector with 1077 Split/Splitless Capillary Injector	
900121	Install Kit for Varian 3600 w/ 1078 Injector	
900122	Install Kit for Varian 3800	
900130	Cryo-Trap Install Kit for Shimadzu GC-9A	
900140	Install Kit for Thermo Finnigan GCQ	