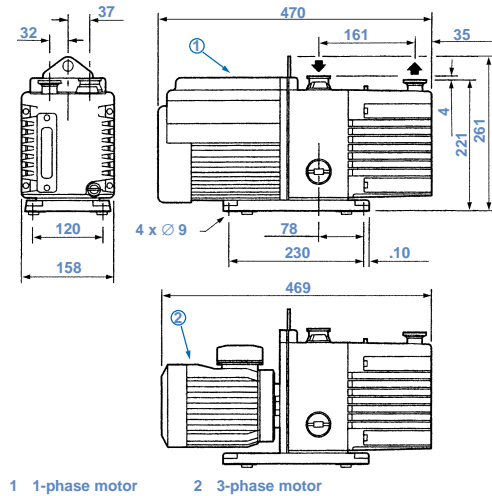


# F28 BOC Edwards Rotary Vane Vacuum Pumps

## RV8 Vacuum Pump



1 1-phase motor      2 3-phase motor

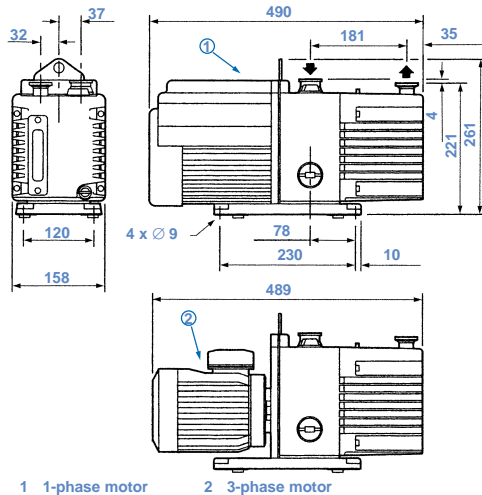
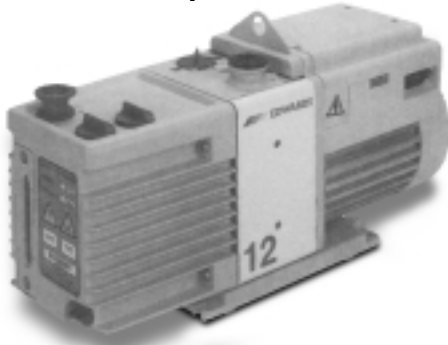
All dimensions in millimeters

### Technical Data

Number of Stages	2
Displacement (swept volume) 60 Hz	6.9 ft <sup>3</sup> min <sup>-1</sup> (11.7 m <sup>3</sup> h <sup>-1</sup> )
Speed (Pneurop 6602) 60 Hz	5.9 ft <sup>3</sup> min <sup>-1</sup> (10 m <sup>3</sup> h <sup>-1</sup> )
Ultimate vacuum (total pressure) - High Vacuum Mode	
gas ballast closed	1.5x 10 <sup>-3</sup> torr(2 x 10 <sup>-3</sup> mbar)
with gas ballast	2.3 x 10 <sup>-2</sup> torr(3 x 10 <sup>-2</sup> mbar)
Ultimate vacuum (total pressure) - High Throughput Mode	
gas ballast closed	2.3x 10 <sup>-2</sup> torr(3 x 10 <sup>-2</sup> mbar)
with gas ballast	3.0 x 10 <sup>-2</sup> torr(4 x 10 <sup>-2</sup> mbar)
Inlet connection	NW25
Outlet connection	NW25
Maximum allowed pressure at outlet	14 psig (1 bar gauge)
Maximum allowed inlet and gas ballast pressure	7 psig (0.5 bar gauge)
Maximum inlet pressure for water vapor	60 torr (38 mbar)
Maximum water vapor pumping rate	0.60 kgh <sup>-1</sup>
Motor power 60 Hz	0.55 kW
Oil Capacity – maximum	0.75 liter
minimum	0.45 liter
Weight	57 lbs (26 kg)

Part No.	Displacement cfm
A654-01-906	BOC Edwards Model RV8, 115V
A654-01-903	BOC Edwards Model RV8, 220V
A654-01-905	BOC Edwards Model RV8, 220V 3 phase
A462-26-000	EMF10 Outlet Mist Filter
A652-01-131	Clean and Overhaul Kit
A654-01-130	Blade Kit

## RV12 Vacuum Pump



1 1-phase motor      2 3-phase motor

All dimensions in millimeters

### Technical Data

Number of Stages	2
Displacement (swept volume) 60 Hz	10 ft <sup>3</sup> min <sup>-1</sup> (17.0 m <sup>3</sup> h <sup>-1</sup> )
Speed (Pneurop 6602) 60 Hz	8.4 ft <sup>3</sup> min <sup>-1</sup> (14.2 m <sup>3</sup> h <sup>-1</sup> )
Ultimate vacuum (total pressure) - High Vacuum Mode	
gas ballast closed	1.5x 10 <sup>-3</sup> torr(2 x 10 <sup>-3</sup> mbar)
with gas ballast	2.3 x 10 <sup>-2</sup> torr(3 x 10 <sup>-2</sup> mbar)
Ultimate vacuum (total pressure) - High Throughput Mode	
gas ballast closed	2.3x 10 <sup>-2</sup> torr(3 x 10 <sup>-2</sup> mbar)
with gas ballast	3 x 10 <sup>-2</sup> torr(4 x 10 <sup>-2</sup> mbar)
Inlet connection	NW25
Outlet connection	NW25
Maximum allowed pressure at outlet	14 psig (1 bar gauge)
Maximum allowed inlet and gas ballast pressure	7 psig (0.5 bar gauge)
Maximum inlet pressure for water vapor	24 torr (32 mbar)
Maximum water vapor pumping rate	0.60 kgh <sup>-1</sup>
Motor power 60 Hz	0.55 kW
Oil Capacity – maximum	1.0 liter
minimum	0.65 liter
Weight	58 lbs (26.3 kg)

Part No.	Displacement cfm
A655-01-906	BOC Edwards Model RV12, 115V
A655-01-903	BOC Edwards Model RV12, 220V
A655-01-905	BOC Edwards Model RV12, 220V 3 phase
A462-26-000	EMF10 Outlet Mist Filter
A652-01-131	Clean and Overhaul Kit
A655-01-130	Blade Kit