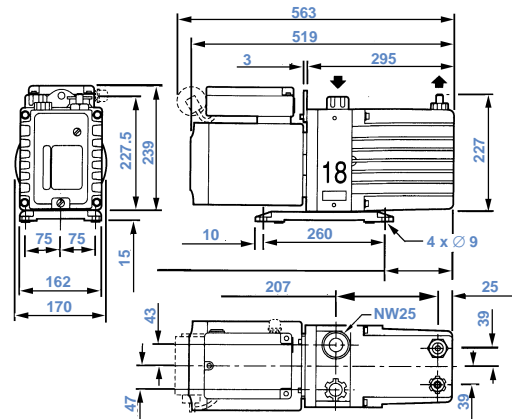
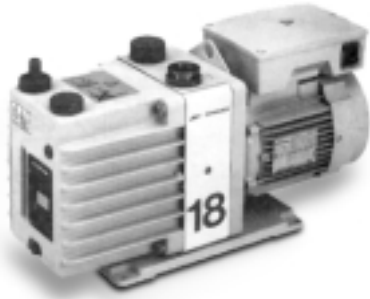


F30 BOC Edwards EM Vacuum Pumps

E1M18 and E2M18 Vacuum Pumps

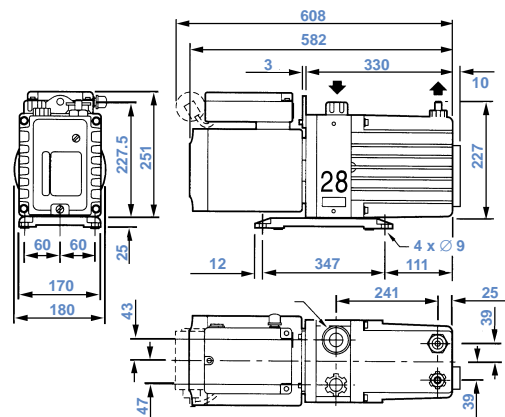
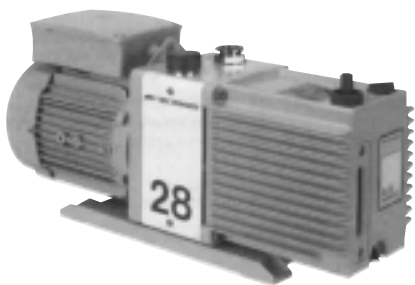


All dimensions in millimeters

Technical Data	E1M18	E2M18
Number of Stages	1	2
Displacement (swept volume) 60 Hz	14.7 ft ³ min ⁻¹ (25.0 m ³ h ⁻¹)	12 ft ³ min ⁻¹ (20.4 m ³ h ⁻¹)
Speed (Pneurop 6602) 60 Hz	14.7 ft ³ min ⁻¹ (25.0 m ³ h ⁻¹)	12 ft ³ min ⁻¹ (20.4 m ³ h ⁻¹)
Ultimate vacuum (partial pressure) gas ballast closed	2.2 x 10 ⁻² torr (3 x 10 ⁻² mbar)	7.5 x 10 ⁻⁴ torr (1 x 10 ⁻³ mbar)
with gas ballast	4.8 x 10 ⁻¹ torr (6.5 x 10 ⁻¹ mbar)	1.1 x 10 ⁻² torr (1.5 x 10 ⁻² mbar)
Inlet connection	NW25	
Outlet connection	Nozzle 15 mm external diameter removable from hole tapped 3/4 inch BSP	
Maximum permitted pressure at outlet	7 psig (0.5 bar gauge)	
Maximum inlet pressure for water vapor	38 torr (50 mbar)	15 torr (20 mbar)
Maximum water vapor pumping rate	0.65 kgh ⁻¹	0.30 kgh ⁻¹
Weight	70 lbs (32 kg)	79 lbs (36 kg)
Motor power 60 Hz	1 hp (0.75 kW)	1 hp (0.75 kW)
Oil Capacity – maximum	1.4 liter	1.05 liter
minimum	0.9 liter	0.75 liter

Part No.	Description	Price
A343-17-984	E1M18 115/230V Universal Motor	
A363-17-984	E2M18 115/230V Universal Motor	
A462-29-000	EMF20 outlet mist filter	
A363-01-131	Clean and overhaul kit	
A343-01-041	Blade kit E1M18	
A363-01-020	Blade kit E2M18	
A505-07-003	Power Cord Set	

E2M28 Vacuum Pump



All dimensions in millimeters

Technical Data		
Number of Stages		2
Displacement (swept volume) 60 Hz		22.3 ft ³ min ⁻¹ (38.9 m ³ h ⁻¹)
Speed (Pneurop 6602) 60 Hz		19.5 ft ³ min ⁻¹ (33.0 m ³ h ⁻¹)
Ultimate vacuum (partial pressure)	without gas ballast	7.5 x 10 ⁻⁵ torr (10 ⁻⁴ mbar)
	with gas ballast	3.4 x 10 ⁻³ torr (5 x 10 ⁻³ mbar)
Inlet connection	NW25	
Outlet connection	Nozzle 15 mm external diameter removable from hole tapped 3/4 inch BSP	
Maximum permitted pressure at outlet	7 psig (0.5 bar gauge)	
Maximum inlet pressure for water vapor	23 torr (30 mbar)	
Maximum water vapor pumping rate	0.7 kgh ⁻¹	
Weight	87 lbs (40 kg)	
Motor power 60 Hz	1.25 hp (0.90 kW)	
Oil Capacity – maximum	1.5 liter	
minimum	1.2 liter	

Part No.	Description	Price
A373-17-984	E2M28 115/230V Universal Motor	
A462-33-000	MF30 Outlet Mist Filter	
A373-01-131	Clean and Overhaul Kit	
A373-01-135	Blade kit	
A505-07-003	Power Cord Set	