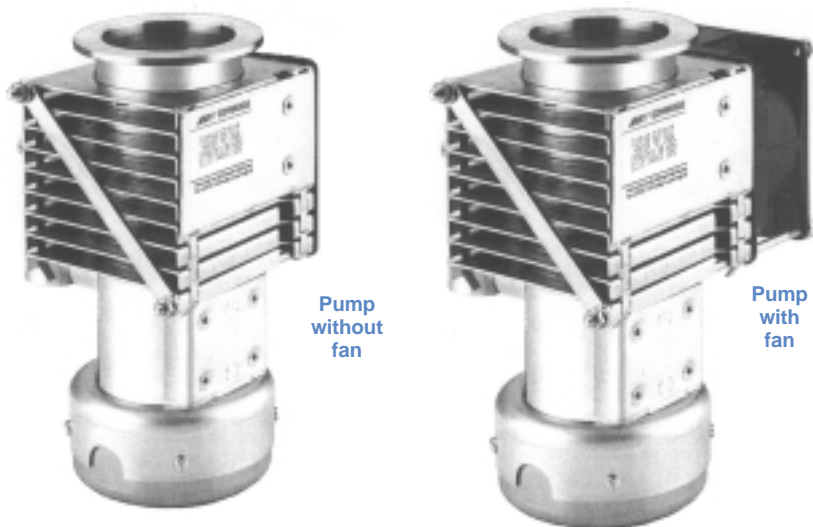


EO50/60 Diffusion Pump



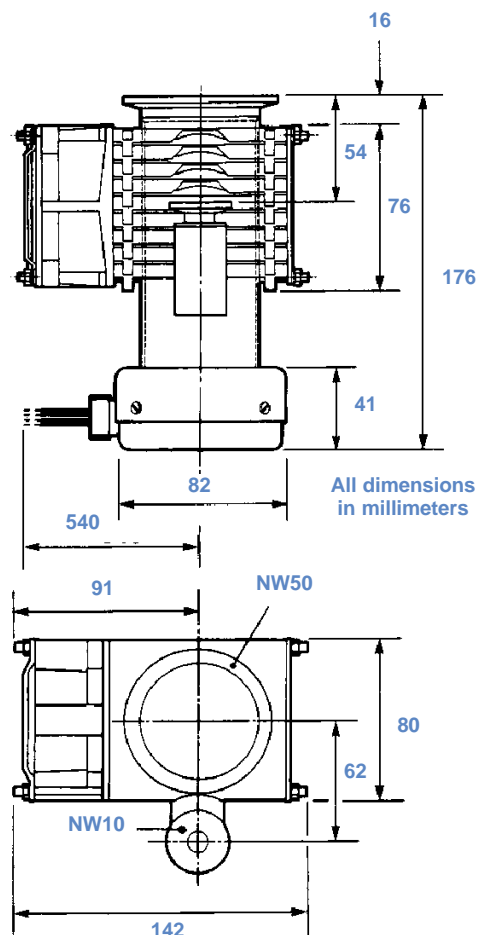
Pump without fan

Pump with fan

The Model EO50/60 is a compact, fast warm-up air-cooled diffusion pump supplied complete with high integrity inlet Co-seal, and flange clamping ring. The jet assembly is removable for easy cleaning. It meets the need for a low-cost, high vacuum pump for use in desk top or mobile scientific instruments, leak detectors, tube pumping systems and general laboratory applications.

In many applications the rapid warm-up capability will enable the EO50/60 to be used without an isolation valve. However, the pump is not intended for use on valveless systems where rapid cycling from atmospheric pressure through the hot pump is required.

Models are available with and without cooling fans. Models without fans are available as replacement diffusion pumps for Agilent MSD instruments. The pumps do not come with temperature sensors but the holes to mount the sensor are available.



All dimensions in millimeters

Technical Data

Pumping speed (air)	60 l/s (27 l/s baffled)
(hydrogen)	70 l/s (50 l/s baffled)
Fluid Charge	18.5 ml
Recommended fluid	Santovac® 5, Silicone DC704EU
Minimum backing pump displacement	0.59 cfm
Recommended backing pump	RV-3
Inlet connection	NW50 flange
Backing connection	NW10 flange
Heater power	200 W or 250 W
Warm-up time to operating temperature	4 min
Weight	4.4 lb
Minimum cooling air flow	2.7 cfm

Fluid	Critical backing pressure (torr)	Ultimate pressure (torr)
Santovac 5	0.45	3.8×10^{-8}
Silicone DC702	0.9	3.8×10^{-6}
Silicone DC704EU	0.6	3.8×10^{-7}
Silicone DC705	0.45	3.8×10^{-7}
Apiezon® C	0.53	3.8×10^{-7}

Part No.	Description	Price
B30211090	BOC Edwards Model EO50/60 Diffusion Pump, 90 volts (for Agilent MSD) no fan	
B30211180	BOC Edwards Model EO50/60 Diffusion Pump, 180 volts (for Agilent MSD) no fan	
B30207110	BOC Edwards Model EO50/60 Diffusion Pump, 110-125 volts, with fan 115 volts	
B30207240	BOC Edwards Model EO50/60 Diffusion Pump, 230-250 volts, with fan 230 volts	
H01707075	Diffusion Heater 90 volts, 250 watts	
H01707073	Diffusion Heater, 180 volts, 250 watts	
H01707060	Diffusion Heater 120 volts, 200 watts	
H01707063	Diffusion Heater, 230/250 volts	
CA80018	Diffusion Pump Fan - 5971	
CA80019	Diffusion Pump Fan - 5972	