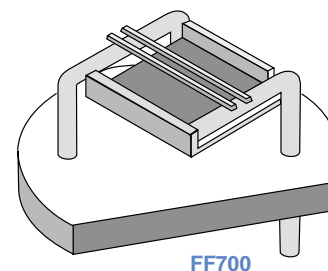


# B30 Thermo\* Ion Trap Accessories

## Ion Trap Filaments - New Style

The plug-in style filaments for the Thermo Ion Trap instruments are available from S.I.S.™ These are direct replacements for those supplied by Thermo MAT and Perkin-Elmer. S.I.S. also repairs these filaments as well as the originals, which were mounted on a flange.

Part No.	Description	Price
FF700	ITD Filament	

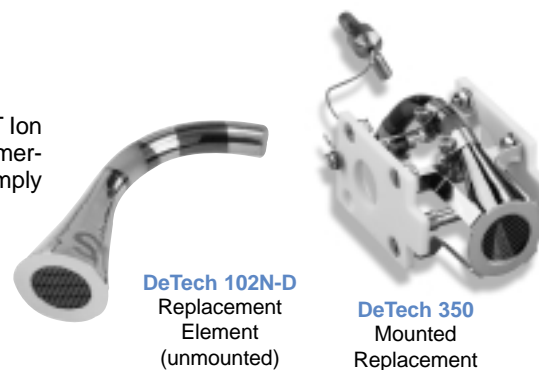


## New Electron Multiplier for ITD<sup>+</sup>

**DeTech 350 Detector - high performance detector for the Thermo ITD™ 700, 800, ITS40™ and Magnum™ GCMS**

The DeTech 350 Detector offers the highest levels of performance for the Thermo MAT Ion Trap Mass Spectrometers. It is designed to provide the lowest baseline noise of any commercially available detector and is designed for increased detector lifetime. The detector simply clips into the instrument in seconds, minimizing instrument downtime.

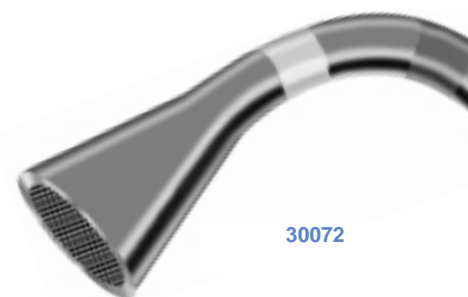
Part No.	Description	Price ea.
350	Mounted Version	
102N-D	Replacement element (unmounted)	



## Electron Multipliers

The following multipliers are available from S.I.S. for the Ion Trap. This model is an exact replacement for those used on the original instrument (Thermo MAT #94011-60052). The model 30082 multiplier is for the ITMS (Thermo MAT #94099-98010) and requires a conversion in our shops as described in this catalog.

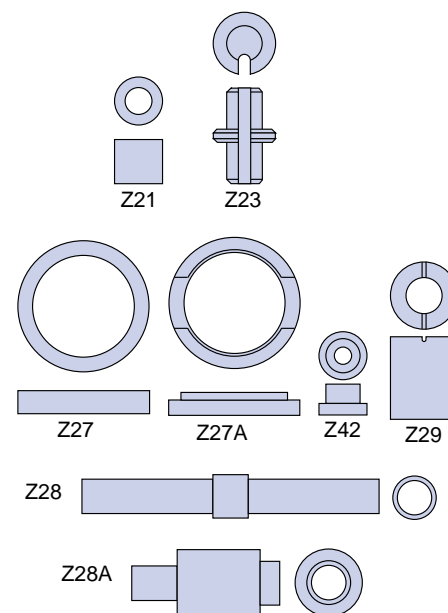
Part No.	Thermo No.	Description	Price
30072	94011-60052	Burle Electron Multiplier	
30082	94099-98010	Burle Conversion	



## Ceramic Insulators

S.I.S. can supply replacement ceramic insulators for the ion trap detector. All insulators are constructed from high purity alumina ceramic.

Part No.	Thermo No.	Description	Price
Z21	94022-20000	ITD Exit Insulator	
Z23	94022-20091	ITD Endcap Insulator	
Z27		Gate Insulator, older instruments.	
Z27A	94011-20008	Gate insulator	
Z28	94011-20112	Position Pin Ins.	
Z28A	94022-62052	Position Pin	
Z29	94011-20133	Electrode Spacer	
Z42	94022-20012	Ceramic Bushing	



(Scale drawings)

ITD® is a registered trademark of the Thermo Scientific Corp.

\*When "Thermo" is indicated, it is intended to imply "Thermo Fisher Scientific Corp"