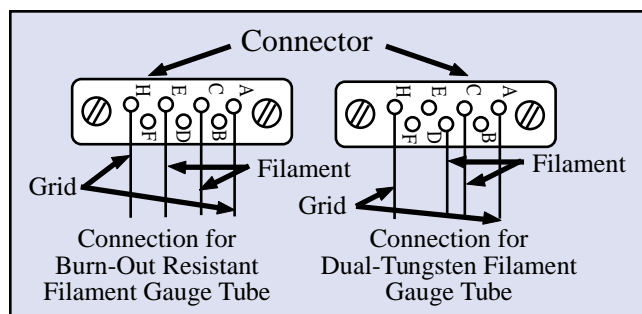
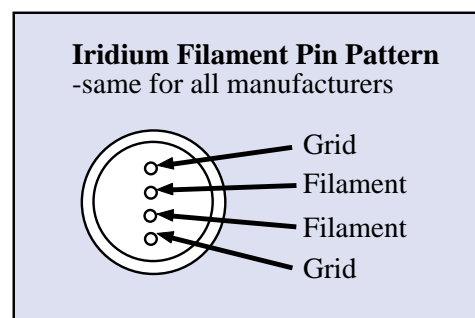
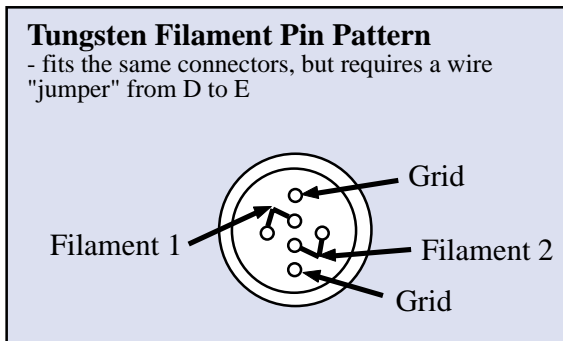


## Connector Plug Data



## Gauge Tube Pin Data



The G Series is designed for convenient and reliable connection to a standard connector. The burn-out-resistant version is mechanically and electrically interchangeable with similar models using Continental Connector Corp. type 7-16S connector. (Refer to above diagram).

The two tungsten filament version is designed for use with the same connector. Connect control unit grid leads to contacts "A" and "H" and filament leads to contacts "C" and "D" of the connector. Filaments can then be switched by merely reversing the connector 180°. This eliminates the possibility of damage to tube by applying grid outgassing currents to filament (s). (Refer to above diagram).

## Ion Gauge Cross Reference

Tube/Type	S.I.S. CAT#	CVC #GIC	Extrel	Thermo* #00105	Granville Phillips	Huntington 274	HighVac G79-	Agilent 0960	Varian 563,71,72	Veeco
3/4"/Pyrex	G75P	—	G075N-PT	01500	002	IP-100	IPB	0376	304	RG75P
3/4"/Kovar	G75K	—	—	01500	003	IK-100	IKB	—	305	RG75K
1"/Pyrex	G100P	—	—	—	005	IP-150	—	—	301	—
1"/Kovar	G100K	—	—	—	006	IK-150	—	—	302	—
3/4"/Pyrex	T85P	016	—	—	012	TP-100	ITP	—	—	TG75P
3/4"/Kovar	T85K	016-3	—	—	013	TK-100	ITK	—	—	TG75K
1"/Pyrex	T110P	017	—	—	015	TP-150	—	—	—	—
1"/Kovar	T110K	017-3	—	—	016	TAK-150	—	—	—	—
3/4" Kovar	G75KHS	—	—	01510	—	—	—	—	—	—
NW25 Flange	G100KF25	—	—	—	—	—	—	0799	—	—

Product No.	Tubulation	Filament	Price each	Pkg.of 4
G75P	3/4" Pyrex™	Iridium		
G75K	3/4" Kovar	Iridium		
T85P	3/4" Pyrex	Tungsten		
T85K	3/4" Kovar	Tungsten		
G100P	1" Pyrex	Iridium		
G100K	1" Kovar	Iridium		
T110P	1" Pyrex	Tungsten		
T110K	1" Kovar	Tungsten		
G75KHS	3/4" Kovar	Iridium/ Thoria		
G100KF25	NW25 Flange	Iridium		—

\* When "Thermo" is indicated, it is intended to imply "Thermo Fisher Scientific Corp."