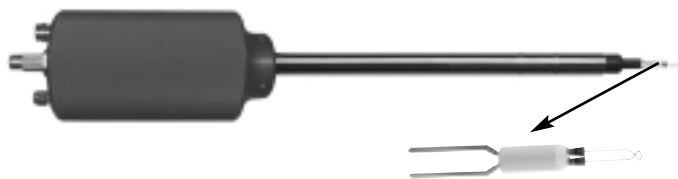


A62 DCI/DEP & CAL Gas Probe

S.I.S.™ DCI/DEP Probe

The S.I.S. DCI/DEP probe is designed for use on the Agilent 5989 mass spectrometer as well as other instruments which use a 1/2" probe inlet. The DCI probe utilizes a replaceable filament wire at the end of the probe to both hold and heat the sample. In this technique a current is supplied to the filament wire which directly heats the sample. The temperature of the sample is controlled by limiting the value of the current supplied to the filament. The probe tip filaments simply plug in for easy replacement by the user. The probe comes with the valve and fittings necessary for introduction of the CI reagent gas through the probe.

The S.I.S. Model PC-3 power supply is designed for use with the S.I.S. DCI probe. An LCD display shows all necessary parameters and the current status of the probe. Data system remote start capability is included.

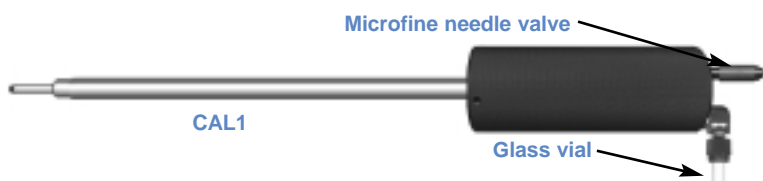


Part No.	Description	Price
HPP2A	DCI Probe for Agilent5989	
PC-3	Power Supply for DCI Probe	
PC3-220	Power supply for DCI Probe, 220v	
HP-DEP	Replacement DCI Filament Tip	
HP-DEP1	Glass Encapsulated Filament Tip	
HP-DEP2	Extra Long DEP Filament Tip	
HP-DEP3	Ribbon Filament Tip	

Calibration Gas Probe

These new Calibration Gas Probes are designed for the quick and accurate introduction of liquid or gas samples directly into the Mass Spec source via the probe inlet. The calibration gas or fluid (or any liquid sample) is placed in the removable glass vial in the handle of the probe. The calibration vials can be quickly and easily changed to permit the analysis of multiple liquid samples. The vials hold approximately 2.0 ml of liquid. The rate of flow of the sample into the mass spec source is regulated via the microfine metering valve on the end of the probe handle.

The Calibration Gas Probe offers the advantage for the analysis of multiple liquid samples quickly and easily. In addition, when you are done calibrating the mass spectrometer with the calibration fluid of choice, the probe (and the source of calibration fluid) is removed from the mass spectrometer.

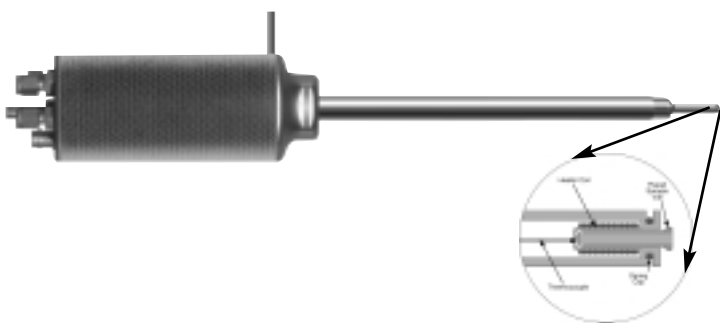


Part No.	Description	Price
CAL1	Cal Gas Probe for Agilent5989	
CAL2	Cal Gas Probe for Thermoquest TSQ	
CAL3	Cal Gas Probe for Thermoquest GCQ	
CV1	Cal Gas Vial	

Standard Direct Probe

The S.I.S. direct insertion probe, for use on the Agilent 5989 and other mass spectrometers which have a 1/2" probe inlet, provides the user with greater flexibility and much faster ramp rates than the standard Agilent DIP probe. This is accomplished by positioning the heater at the tip of the probe where it is in direct contact with the sample vial. The maximum ramp rate is approximately 200°C/min. when used with our separate temperature controller. The controller is equipped with a remote start switch and cable to allow the remote starting of the mass spectrometer from the PC-1 controller. The probe design provides for much faster heating of the sample and also faster cool down of the probe which allows for faster sample throughput. The maximum temperature of the probe is 400°C.

Scientific Instrument Services™ has developed a new High Temperature Direct Insertion Probe (HT-DIP). The probes can be used from ambient temperature up to 800°C with ballistic temperature ramp of over 700°C/min. Available for Agilent and Thermo Systems.



Part No.	Description	Price
HPP1	DIP Probe for Agilent 5989	
PC1	DIP Probe Temperature Controller	
PC1-220	DIP Probe Controller, 220v	
GPT1	Gold Plated Insert	
HPP4	High Temperature DIP for Agilent5989	
PC2	High Temperature DIP Controller for Agilent5989	
PC2-220	High Temperature DIP Controller for Agilent5989, 220v	
FP15	High Temp. DIP for Finn. TSQ	
PC2F	High Temp. DIP Controller for Finn. TSQ	
S17A	Flared Sample Vials, pk. 100	