

# D34 GC Injection Port Seals

## Injection Port Liner Seals for Agilent 5890/6890 Injector and other GC Injectors

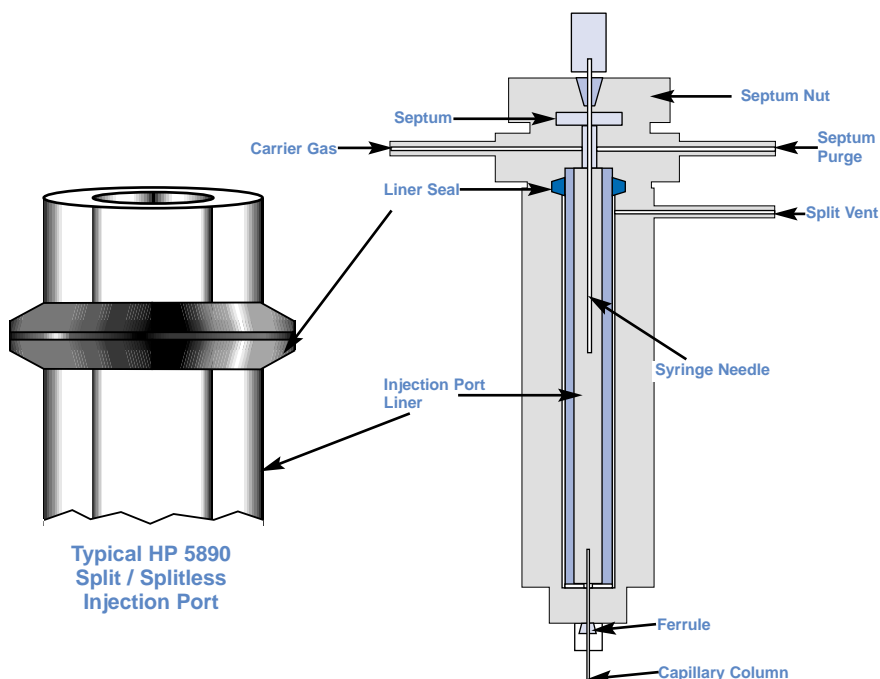
### Features:

- Graphitized Vespel® Construction
- Will Not Flake Like Graphite
- Usable to 400°C
- Reusable
- Will not bleed contaminants onto GC Column



**Graphitized Vespel  
Injection Port Liner Seal**

The new Graphitized / Vespel® Injection Port Liner Seals are designed to replace the Viton 'O' Ring Seals. (Agilent 5180-4182) and the Graphite 'O' Ring Seals (Agilent 5180-4173) which are used to seal the glass or metal injection port liners into the Agilent 5890 Split / Splitless Injection Port. Graphitized / Vespel® has the advantage of being stronger than the other seals. It will not flake like graphite. It is reusable and can be used up to 400°C with no bleed into the GC column. Graphitized / Vespel® Seals are recommended for GC/MS applications.



Part No.	Description	Price Ea.	10 or more
HP13	Injection Port Liner Seals Graphitized / Vespel		

## Viton™ & Silicone 'O' Ring Seals

Both Viton and Silicone 'O' Rings are available for use with the Agilent and other GC injection ports. These seals will produce higher bleed than the graphitized / vespel seal described above and should not be used above 240°C.



Part No.	Description	Agilent Part #	Price / 10 pk.	Price / 100 pk.
S-010	Silicone 'O' Ring	5080-4982		
V-010	Viton 'O' Ring	5188-5365		