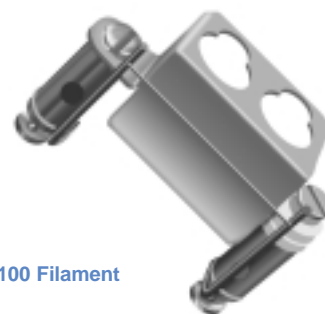


## A24 New Mass Spec Filaments

### Thermo\*\* 3000, 5100, 1020, OWA® and Incos™\* Stainless Steel Body Filaments Redesigned and Manufactured by S.I.S.

The metal filament shown on the right is a filament similar to the original Thermo filament for those users who prefer this style filament. However, several design improvements have been made for better performance. The filament shield is constructed from a heavier gauge stainless steel material and is much stronger. The filament posts have been shortened and are constructed of a heavier gauge metal to help eliminate filament sagging.



SF5100 Filament

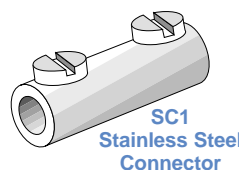
Part No.	Thermo No.	Description	Price ea.
SF5100	30004-60020	Stainless body 3000 series Filaments	
6 or more			

\*For Incos 50 only. Does not fit Incos 50B, 500 or XL.

### Ceramic Body Filament for Thermo 3000 and 3200 Series Mass Spectrometer

These ceramic body filaments were designed to eliminate many of the problems associated with the Thermo metal type filaments. Our new design is strong and durable. The short metal posts hold the filament wire straight, while tension is maintained to minimizing sagging. The ceramic body eliminates shorting of the filament to the source. The filaments come complete with silver wire leads and stainless steel mounting screws. Connections to instrument lead wires can be made with the connector listed below (requires two connectors).

Part No.	Description	Price ea.
FF3200	SIS Thermo 3200/OWA Filament 6 or more	
SC1	Stainless Steel Connector	



SC1  
Stainless Steel  
Connector



FF 3200  
Ceramic  
Body  
Filament

OWA® is a registered trademark of Thermo Corp.

### Thermo 5100 Ceramic Body Filament

This filament has been specifically designed for the Thermo 5100 heated source. The 0.032" diameter filament leads protrude out of the side to clear the source block and permit attachment with a connector (2 connectors required). Filament leads can be cut to desired length before attachment of connecting leads. This ceramic body filament will eliminate shorting out problems common with the metal filaments and will provide improved performance over the original metal style filaments.

Part No.	Description	Price ea.
FF51	5100 Ceramic Body Filaments 6 or more	
SC1	Stainless Steel Connector	



FF51 Filament

### Incos 50\* Ceramic Body Filament

The posts protrude out of the middle of the filament. There is no metal in the back to short against the magnet. Also, there is no metal on the ends, which insulates the filament from shorting out in these areas as well. The 0.032" diameter leads can be cut to the desired length, depending on the configuration of your instrument.

These filaments can be connected to your leads with two push-on connectors (SIS Part# B11288-2) or stainless steel connectors (SIS Part #SC1)

\*For Incos 50 only. Does not fit Incos 50B, 500 or XL.

Part No.	Description	Price ea.
FF50	Incos 50 Filament 6 or more	
SC1	Stainless Steel Connector	



FF50 Filament

\*\* When "Thermo" is indicated, it is intended to imply "Thermo Fisher Scientific Corp."