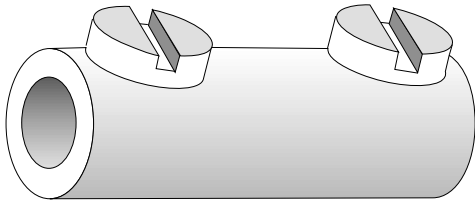


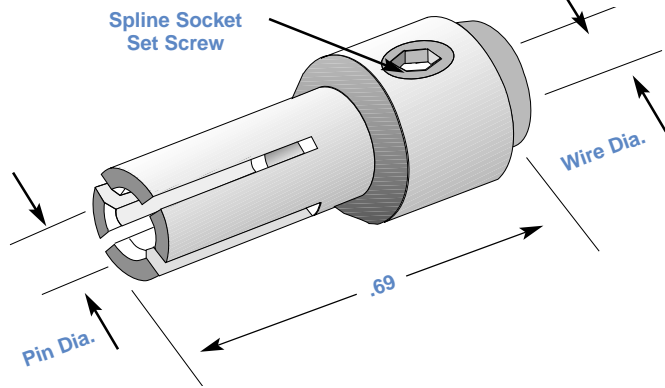
Stainless Steel Connectors



These stainless steel connectors, manufactured from Type 303 stainless steel, have a 0.128" O.D., a 0.057" I.D. and are 0.305" long. Each connector is supplied with two stainless steel screws. This connector also replaces Thermo #04002-20040.

Part No.	Description	Price ea.
SC-1	Stainless Steel Connector	

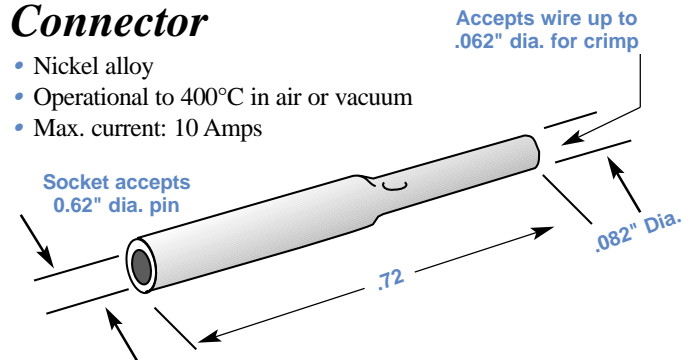
Push-On Connector



Part No.	Pin Dia.	Max. Wire Dia	Price ea.
A7429-1	.094"	.050"	
A7429-2	.050"	.050"	
A7429-3	.040"	.050"	
A7429	Spline Socket Key		

Nickel Alloy Instrumentation Connector

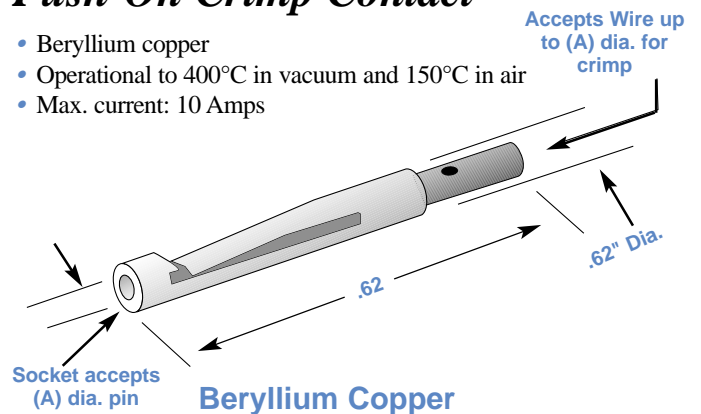
- Nickel alloy
- Operational to 400°C in air or vacuum
- Max. current: 10 Amps



Part No.	Pin Dia.	Max. Wire Dia	Price ea.
A0821-1	.062"	.082"	

Push-On Crimp Contact

- Beryllium copper
- Operational to 400°C in vacuum and 150°C in air
- Max. current: 10 Amps



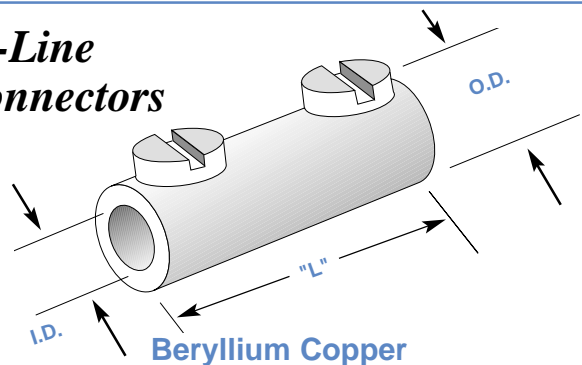
Part No.	Wire Size (A)	Price ea.
A2044-2	.062"	
B11911-2	.050"	
B11288-2	.032"	

Push-On Crimp For Thermocouples

These have the same dimensions as above, but are made of Chromel® or Alumel® for use with up to .050" wires. They may be used in most standard MIL-C-5015 connector plugs.

Part No.	Description	Price ea.
B11259-5	Chromel® Connector	
B11259-6	Alumel® Connector	

In-Line Connectors



Part No.	Wire Dia.	O.D.	I.D.	L.	Price ea
A7332-1	.040"	.125"	.041"	.50"	
A7332-2	.050"	.188"	.058"	.50"	
A7332-3	.062"	.188"	.072"	.50"	
A7332-4	.094"	.250"	.120"	.56"	
A7332-5	.125"	.250"	.134"	.63"	
A7332-6	.250"	.500"	.260"	1.0"	

Stainless Steel

Part No.	Wire Dia.	O.D.	I.D.	L.	Price ea.
SC-1	.040"	.128"	.057"	.305"	