

# B32 Thermo\* 5100 Accessories

## 5100 Source Temperature Sensor

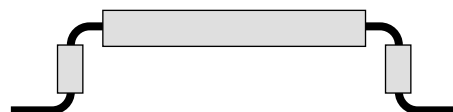
The temperature sensor (Thermo #10007-98020) for the Thermo 5100 heated sources is available from S.I.S. We have changed the design slightly to help eliminate the common breakage problem where the leads enter the platinum resistance element.



Part No.	Thermo No.	Description	Qty. 6 or more	
			Price ea.	Price ea.
PRT3	10007-98020	Sensor for 5100 Source		

## Heater Link Wire

The copper wire ceramic insulated heater link wire is available from S.I.S. (Thermo #50020-01001).



Part No.	Thermo No.	Description	Price ea.
H01001	50020-01001	Heater Link Wire	

## 5100 Source Heater

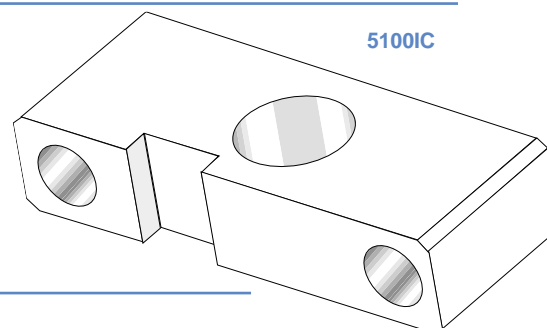
The complete source block heater assembly with mounting clips (Thermo #50020-60006) for the Thermo 5100 heated source is available from S.I.S.



Part No.	Thermo No.	Description	Qty 10 or more	
			Price ea.	Price ea.
HT5100	50020-60006	New 5100 Heater		
REP49		5100 Heater Repair		

## 5100 Inlet Ceramic

The inlet ceramic for the Thermo MAT 5100 is available from S.I.S. This piece is made from high purity alumina ceramic.



Part No.	Description	Price ea.
5100IC	Inlet Ceramic	

## Thermo MAT 5100 Stainless Steel Body Filaments

Part No.	Thermo No.	Description
SF5100	30004-60020	Stainless body 5100 Filament
		Qty. of 6 or more filaments



► *Tech Tip - Filament Repairs are in Section A*

## 5100 Ceramic Body Filaments

Part No.	Description	Price ea.
FF51	5100 Ceramic Body Filament	
	Qty. of 6 or more	
SC1	Stainless Steel Connector	
B11288-2	Beryllium Copper Connector	



\*When "Thermo" is indicated, it is intended to imply "Thermo Fisher Scientific Corp"