


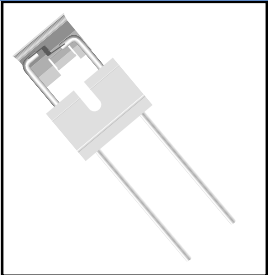
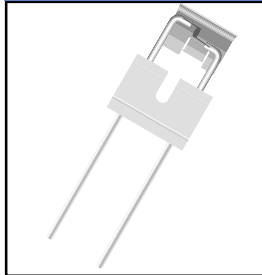




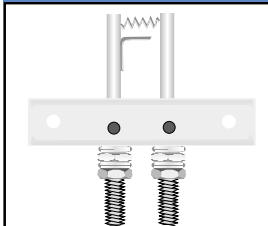

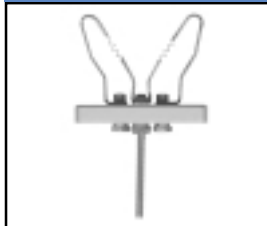

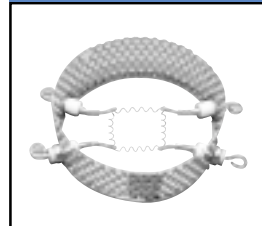




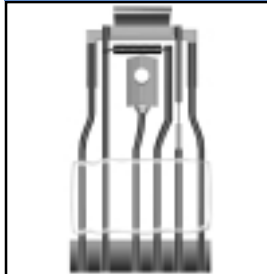
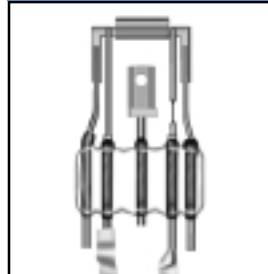


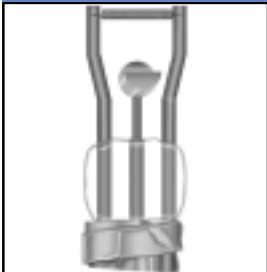
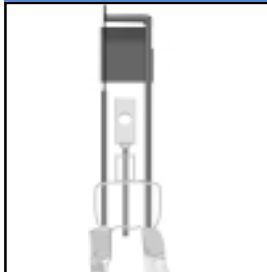
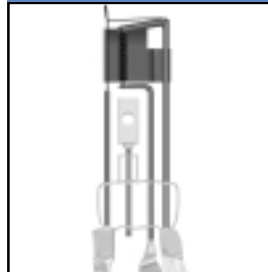
PERKIN ELMER/HITACHI

<p>Q-Mass Source</p> 	<p>MGA-1100 Filament</p> 	<p>P.E.1600 Filament</p> 	<p>Turbomass Rhenium Fil.</p> 	<p>Turbomass Tungsten Fil.</p> 						
<p>RMU-2 Filament</p> 	<p>RMU-6 Filament</p> 	<p>RMU-6 Heater</p> 	<p>P.E. Filament</p> 							
<table border="1"> <thead> <tr> <th>Part No.</th> <th>Description</th> <th>Price</th> </tr> </thead> <tbody> <tr> <td>* FILREPQ</td> <td>Q-Mass Source</td> <td></td> </tr> </tbody> </table>					Part No.	Description	Price	* FILREPQ	Q-Mass Source	
Part No.	Description	Price								
* FILREPQ	Q-Mass Source									

EXTREL

<p>ELQ400 Filament</p> 	<p>Benchmark Filament</p> 	<p>Questar 4 Filament</p> 	<p>041-1 Filament</p> 	<p>Extrel Filament</p> 
--	---	---	--	--

DUPONT/CEC

<p>DP 21-102 Filament</p> 	<p>DP 21-102 Heater</p> 	<p>DP 21-103 Filament</p> 	<p>DP 21-110 Filament</p> 	<p>DP 21-120A Filament</p> 
<p>DP 21-490 Filament</p> 	<p>DP 21-490 Heater</p> 	<p>DP 21-615 Filament</p> 	<p>DP 21-620 Filament</p> 	<p>DP 21-620 Heater</p> 