

		60Hz				
		205SDM	210SDM	215SDM	221SDM	
Free air displacement	cfm	3.8	6.8	10.6	14.6	
	l/mn	108	193	300	414	
Stages		2	2	2	2	
Ultimate vacuum		mbar	<1.10 ⁻⁴	<1.10 ⁻⁴	<1.10 ⁻⁴	
Water vapor capacity		grams/hr	110	100	75	
Oil capacity		liter	.825	.95	.98	
Motor rating		hp	1/2	1/2	3/4	
Rotational speed		rpm	1800	1800	1800	
Electrical rating		1 Ø	115-230 V/60 Hz***		115-230 V/60 Hz***	
		3 Ø	230-460 V/60Hz***		230-460 V/60 Hz***	
Inlet/ Exhaust flanges (Pneurop) NW			25	25	25	
Weight		lbs	51	55	67	
		kg	23	25.2	30.3	
REPAIR KITS						
Major repair kit			65885	65883	65882	65881
Minor repair kit			65874	65874	65874	65874

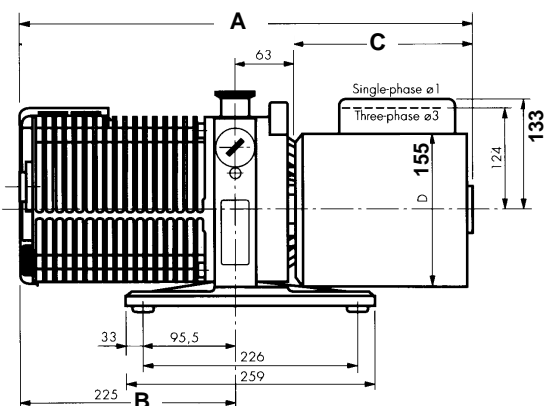
► Tech Tip Increasing the size of your vacuum pump can greatly decrease pump down-time.

Dimensions (mm) 60Hz

	205SDM	210SDM	215SDM	221SDM	20333	2063
A	497	517	558	579	695	814
B	184	204	225	246	455	529
C	250	250	270	270	240	285

Dimensions (inch) 60 Hz

	205SDM	210SDM	215SDM	221SDM	2033	2063
A	19.6	20.4	22.0	22.8	27.4	32.0
B	7.24	8.03	8.86	9.69	17.9	20.8
C	9.84	9.84	10.63	10.63	9.5	11.2



Part No.	Descrip.	Displacement cfm	Shipping weight
205SDM-LAM	Single Phase LV	3.8	60 lbs
205SDM-HAM	Single Phase HV	3.8	60 lbs
210SDM-LAM	Single Phase LV	6.8	65 lbs
210SDM-HAM	Single Phase HV	6.8	65 lbs
215SDM-LAM	Single Phase LV	10.6	73 lbs
215SDM-HAM	Single Phase HV	10.6	73 lbs
221SDM-LAM	Single Phase LV	14.6	78 lbs
221SDM-HAM	Single Phase HV	14.6	78 lbs
14054	Fomblin Prep for 205, 210, 215, and 221 series		
FNADP*	0.8" adapter fitting		
FNAPI**	1.5" adapter fitting		
205SDM-LAM-XP	Single Phase LV	3.8	60 lbs
210SDM-LAM-XP	Single Phase LV	6.8	65 lbs
215SDM-LAM-XP	Single Phase LV	10.6	73 lbs
221SDM-LAM-XP	Single Phase LV	14.6	78 lbs
UM2033ASH	(180/250) 1-Phase	24	151 lbs
UM2033ASL	(110/120) 1-Phase	24	151 lbs
UT2063ASH	(340/460) 3-Phase	43	225 lbs
UT2063ASL	(170/250) 3-Phase	43	225 lbs
00226	Fomblin Prep for 2063 Series		
00225	Fomblin Prep for 2033 Series		

*This adapter is to fit 0.8" I.D. hose used on some Thermo mass spectrometers.

** This adapter is to fit 1.5" I.D. hose used on some Thermo mass spectrometers.

LAM - Low Voltage 110/115 V
HAM - High Voltage 208/230 V

For larger sizes and corrosive resistant pumps call S.I.S.

NOTE: 3 Phase Available - Call for Part No.